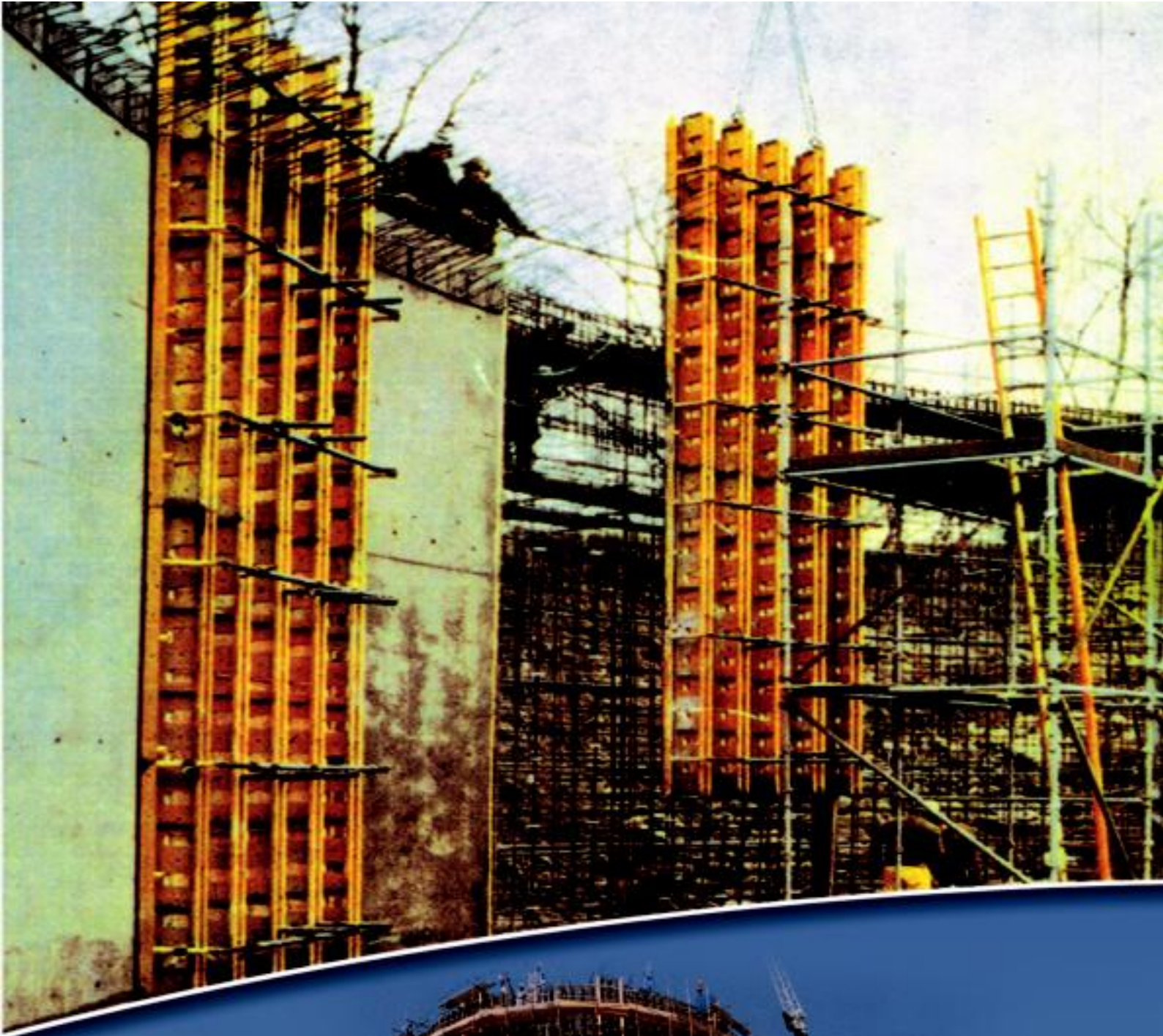




**K H K SCAFFOLDING
& FORMWORK L.L.C.**

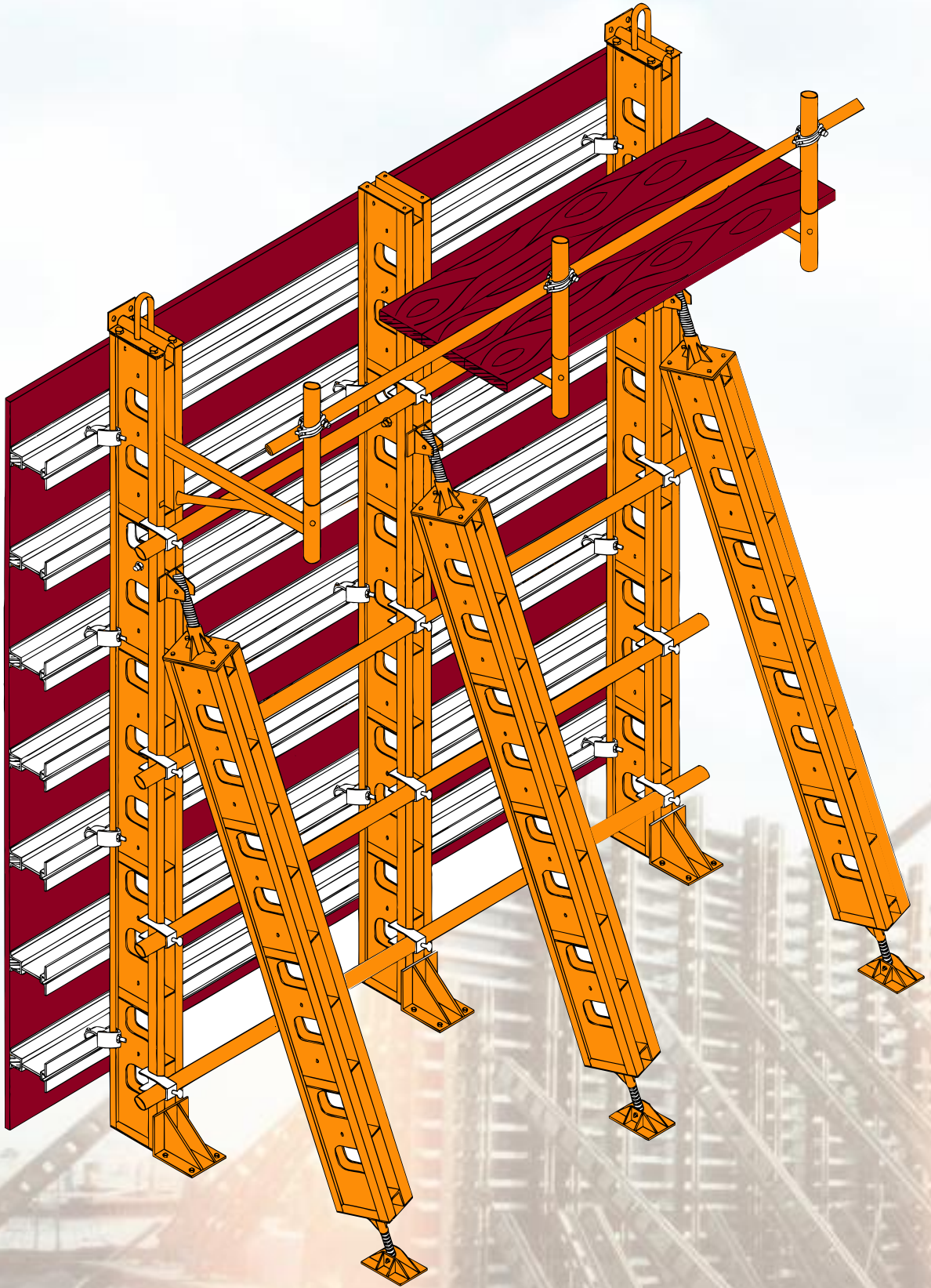
Special Formwork





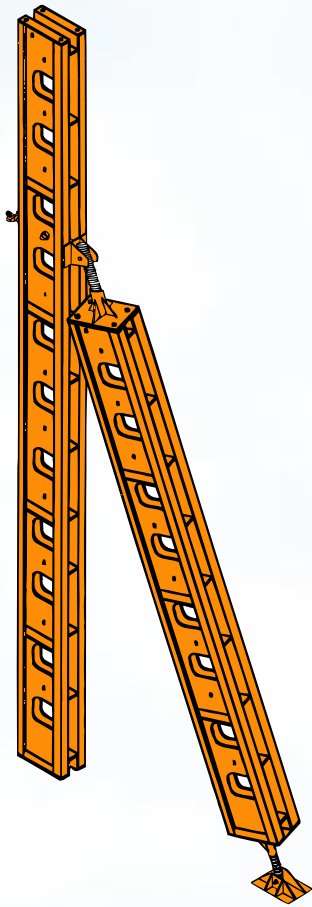


Single Sided Shutter



Single Sided Shutter

Single Sided Shutter Components



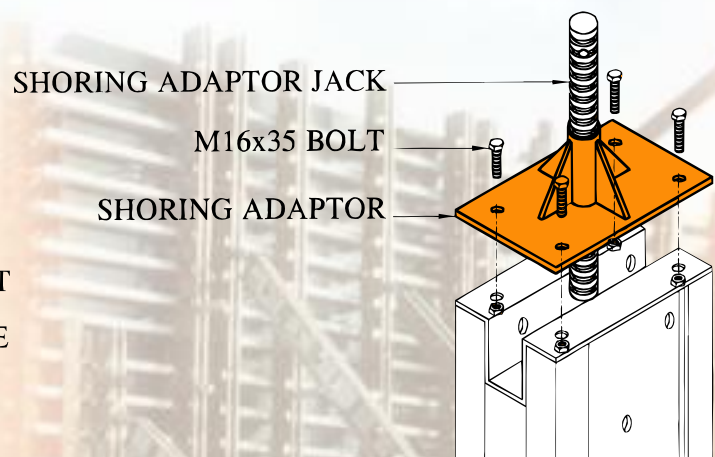
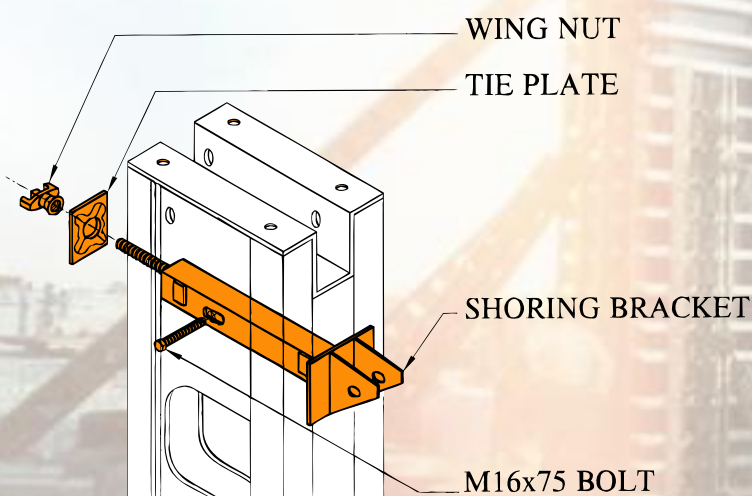
Shoring

It is used to support the single sided shutter and is fitted at the back face of the steel soldier.

The shoring consist of steel soldier (4 standard size soldier) right & left threaded shoring adaptor, shoring bracket, adaptor base, tie plate & wing nut.

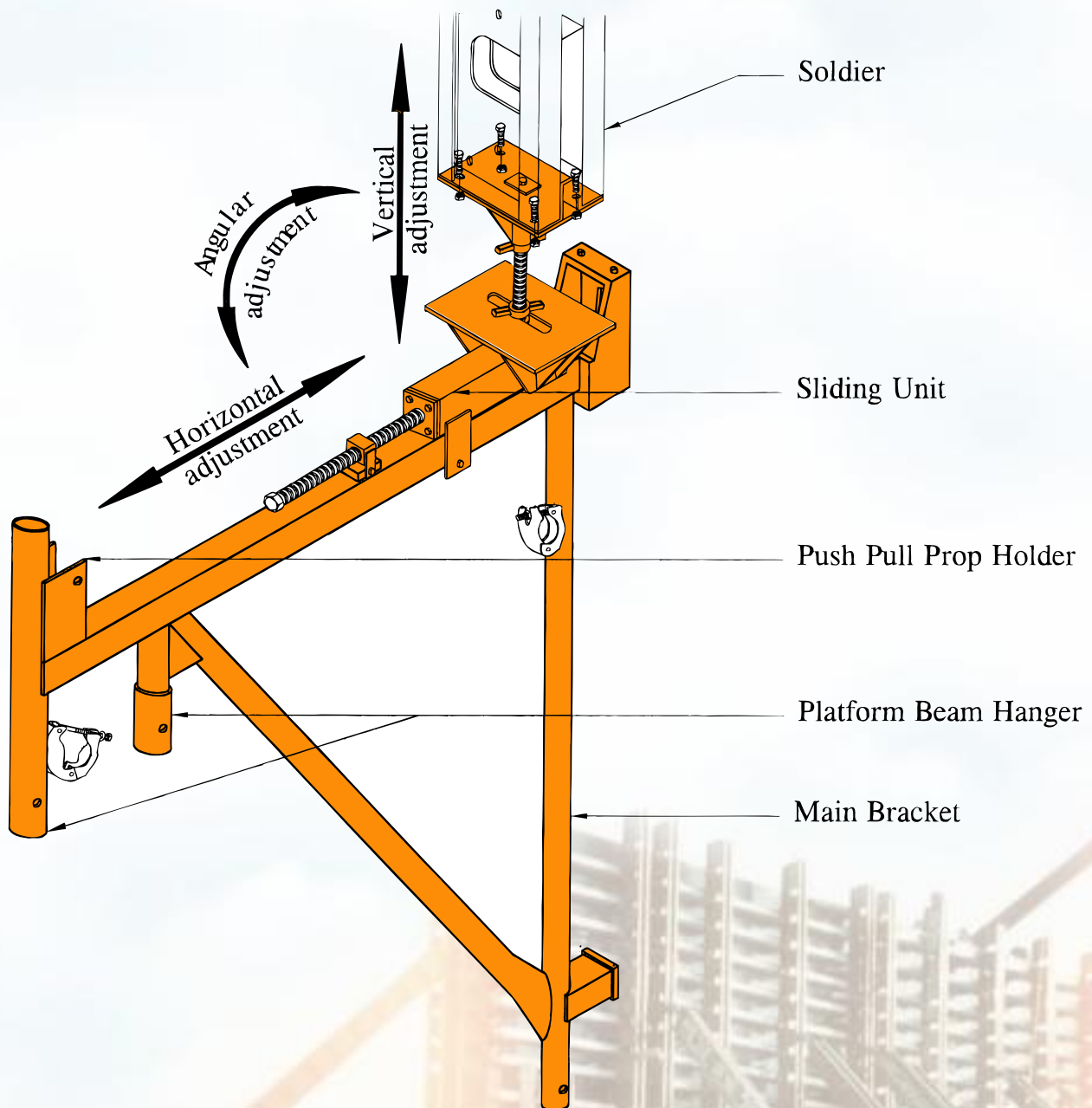
Assembling of shoring

The shoring bracket is placed through the soldier and bolted with wing nut along with the tie plate, in addition to this another M16x75 bolt & nut is used to fix the bracket across the soldier. To the shoring soldier left & right shoring adaptor is fastened using 8 nos. of M16x35 bolts & nuts one end of this is fitted to shoring bracket using an M10x75 bolt & nut and the other to the adaptor base using an M10x75 bolt & nut.



Adaptor Base

Climbing Formwork



Climbing Bracket

KHK climbing bracket is a reliable and safe system for forming concrete on elevated structures. It can be formed quickly and safely at any height.

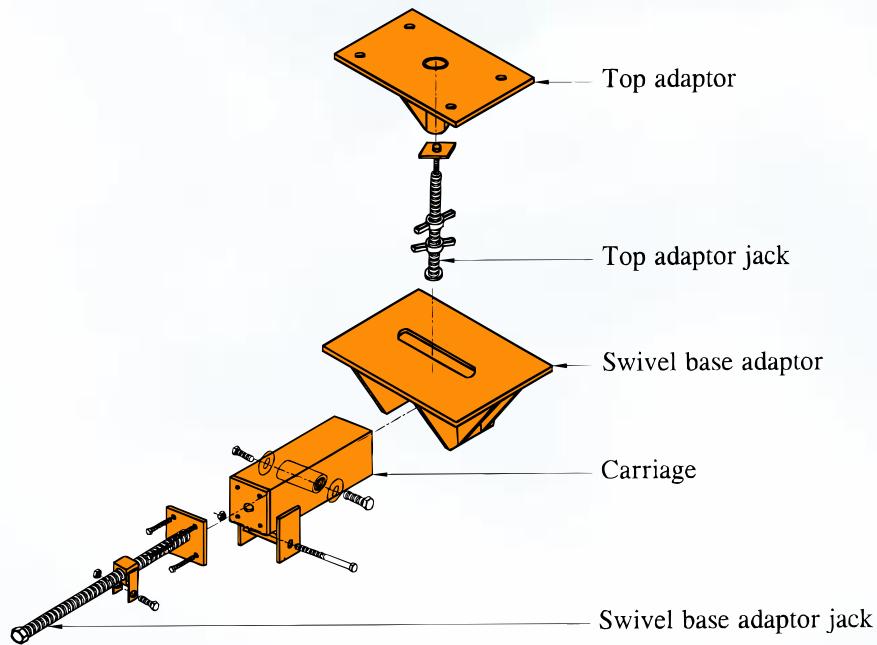
The shutter are moved along with the climbing bracket reducing the over all cycle time. Along with the bracket an hanging access platform is provided for safe working when carrying out finishing work, repairing tie holes and removing anchors used on previous pours.

The shutter fitted to the climbing bracket has three axis of movement (as shown in fig. below) this feature enable the vertical wall to be constructed at any angle.

Climbing Formwork

Sliding Unit of Climbing Bracket

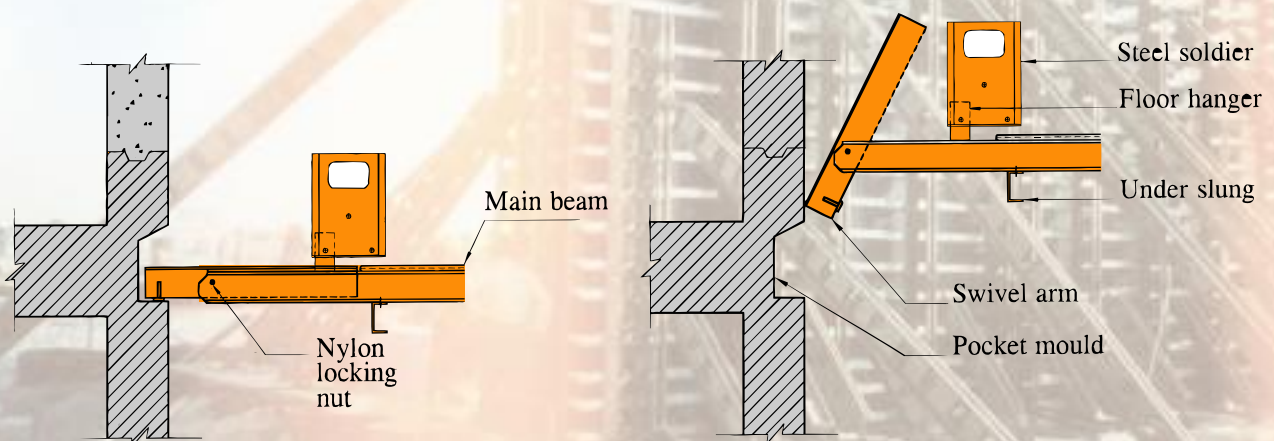
It gives the required vertical, horizontal, or angular movement to the shutter. It consists of top & swivel base adaptor, top and swivel base adaptor jack and a carriage.



Climbing Platform

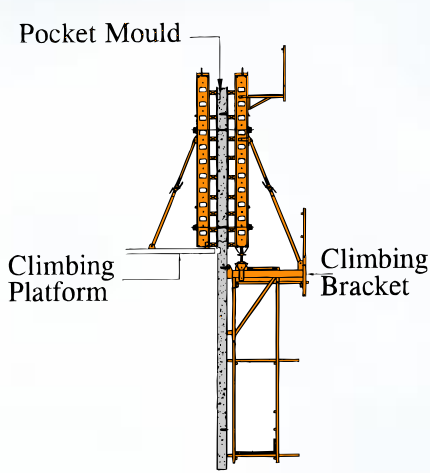
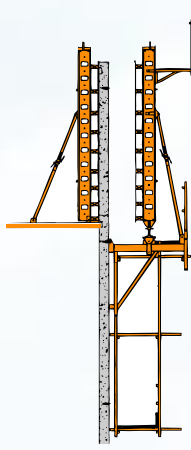
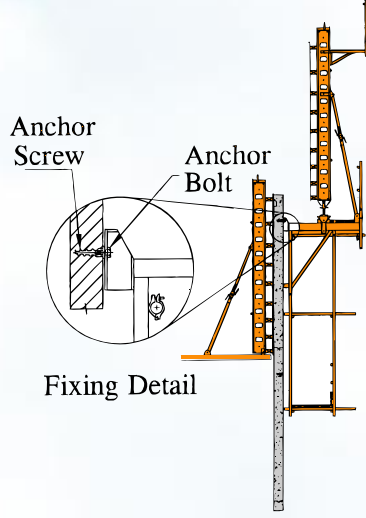
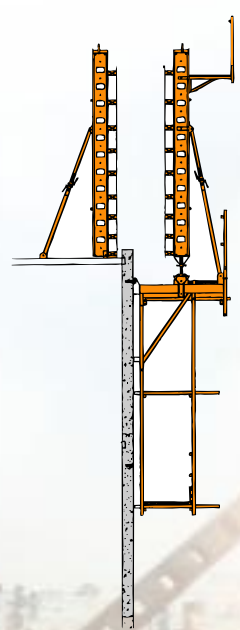
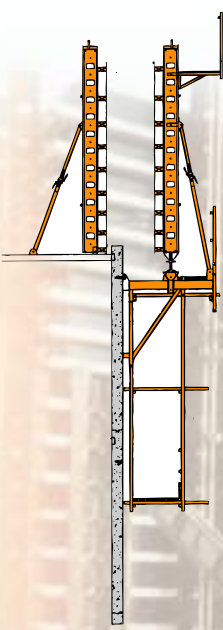
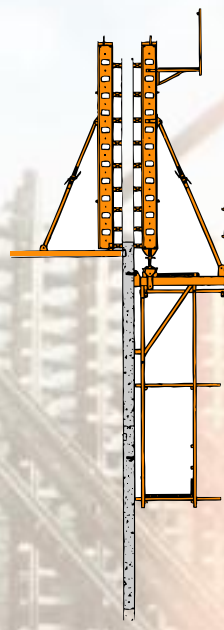
Climbing platforms are used internally on core and lift shaft to provide a safe working area for fixing and supporting the formwork. Same as the climbing bracket it is used for the construction of vertical wall. The platform can be moved vertically up the internal opening without dismantling the shutter this reduces the cycle time considerably.

The climbing platform can be made to any size or shape of the opening and can be made adjustable to allow re-use on different similar opening dimensions.



Climbing Formwork

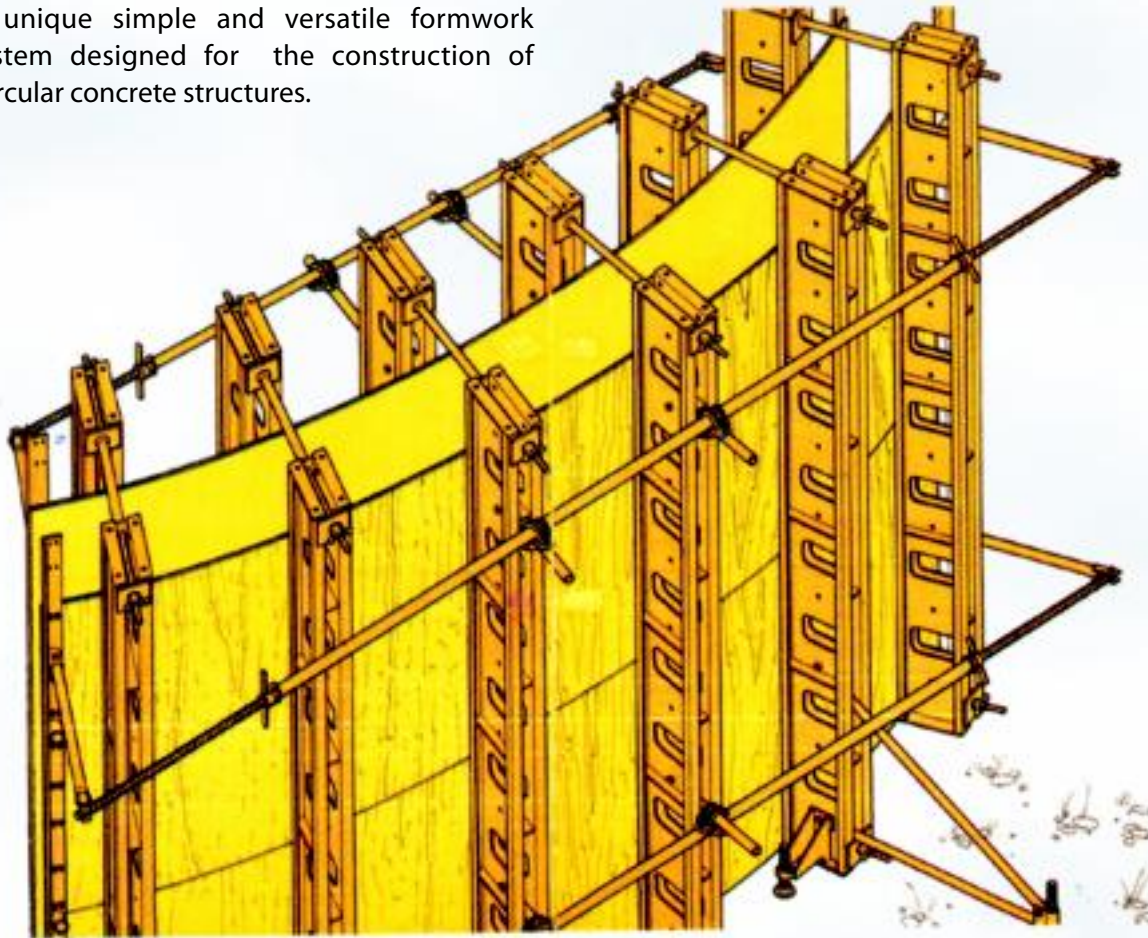
Installing Procedure of Climbing Form Work

 <p>1. Wall Formwork is ready to strip</p>	 <p>2. Remove ties, pull away shutter on climbing bracket using sliding unit, install anchor bolt into anchor screw.</p>	 <p>3. Lift form to next level set the form on the anchor bolt.</p>
 <p>4. Pull climbing platform shutter away from the wall and lift to next level. The climbing bracket automatically locate into the pocket mould.</p>	 <p>5. With shutter in the set back position they can be cleaned and oiled. Reinforcement can also be fixed.</p>	 <p>6. Move forms back into the positioned, fix tie, check for plumb and alignment. Form ready for pour.</p>

Circular Formwork

KHK Circular Formwork System

A unique simple and versatile formwork system designed for the construction of circular concrete structures.



Edge Angles

Robust steel angles, available in lengths of 1.2M, 2.7M, 3.0M and 3.6M are attached to both ends of the plywood these bend the plywood and allow joining of adjacent forms.



Turnbuckles

Standard & short lengths to cover the full range of radii connected across the forkarm.



Stiffening Brace



Outer Shutter Forkarm



Inner Shutter Forkarm







Column Formwork

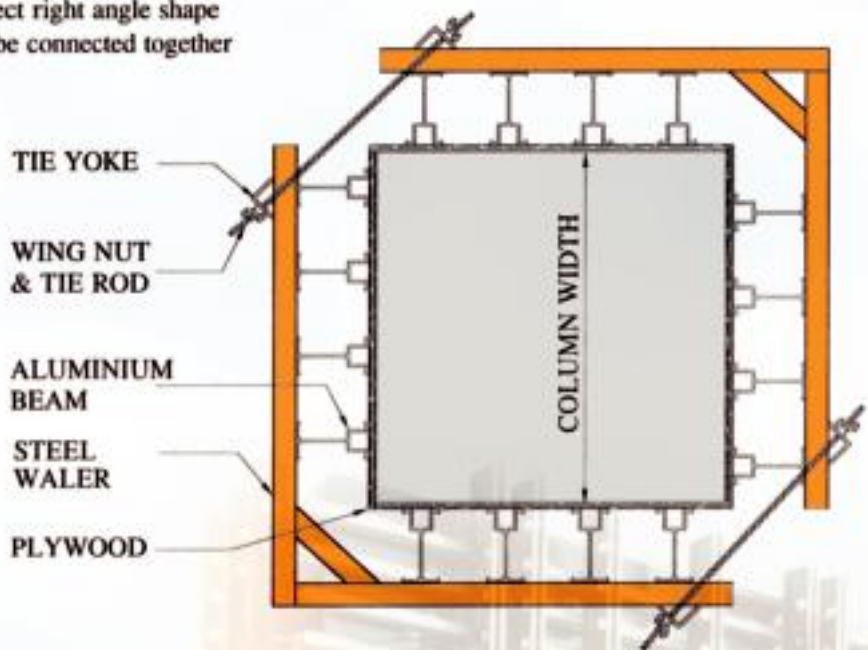
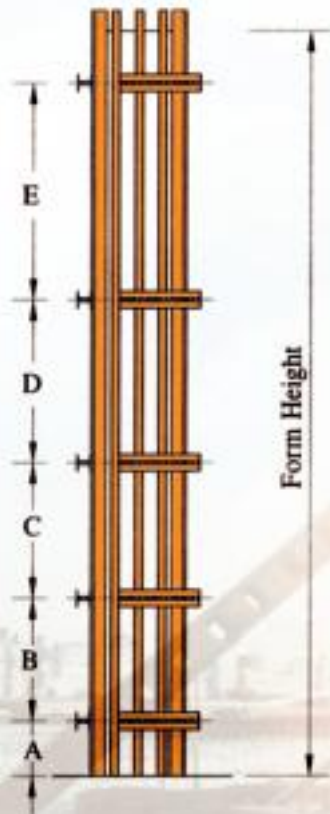
Steel waler & Aluminium Beam System

Due to high strength and rigidity of the steel walers, and small overall formwork depth when compared to other methods, Steel waler and Aluminium beam system is the ideal solution to your column formwork needs, especially when repeated usage and crane handling are required.

Forms can be quickly assembled to perfect right angle shape and lifted into position, where they can be connected together and plumbed in an matter of minutes.

ADVANTAGE

- 3 Sizes cover all requirements.
- Ensures Right - angle corners and Square columns.
- Allows standard crane handled column forms to be assembled for multiple use.

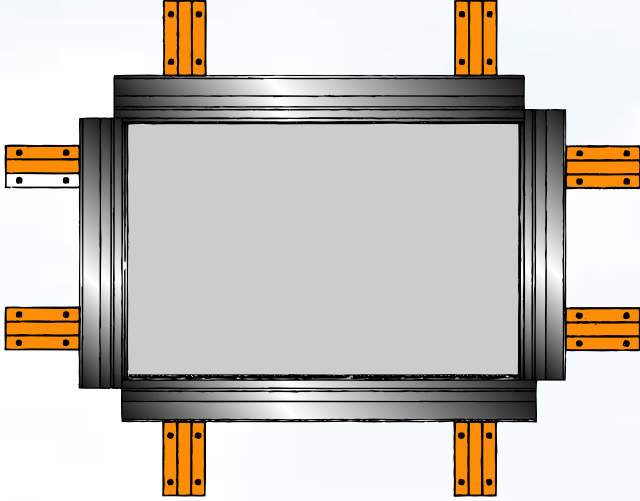


CALCULATIONS ARE BASED ON CONCRETE PRESSURE UP TO 100 KN/m²

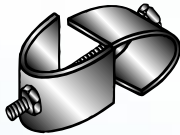
FORM HEIGHT (m)	COLUMN WALERS SPACING (m)				
	A	B	C	D	E
2.00	0.30	1.00			
2.60	0.30	1.60			
3.00	0.40	1.60			
3.50	0.40	1.10	1.20		
4.00	0.40	1.00	1.60		
4.50	0.40	1.00	1.20	1.20	
5.20	0.40	1.00	1.20	1.60	
6.00	0.40	0.80	1.00	1.40	1.40

COLUMN WIDTH (mm)	200	300	400	500	600	700	800
No. OF ALUMINIUM BEAMS PER FACE	2	2	3	3	3	4	4

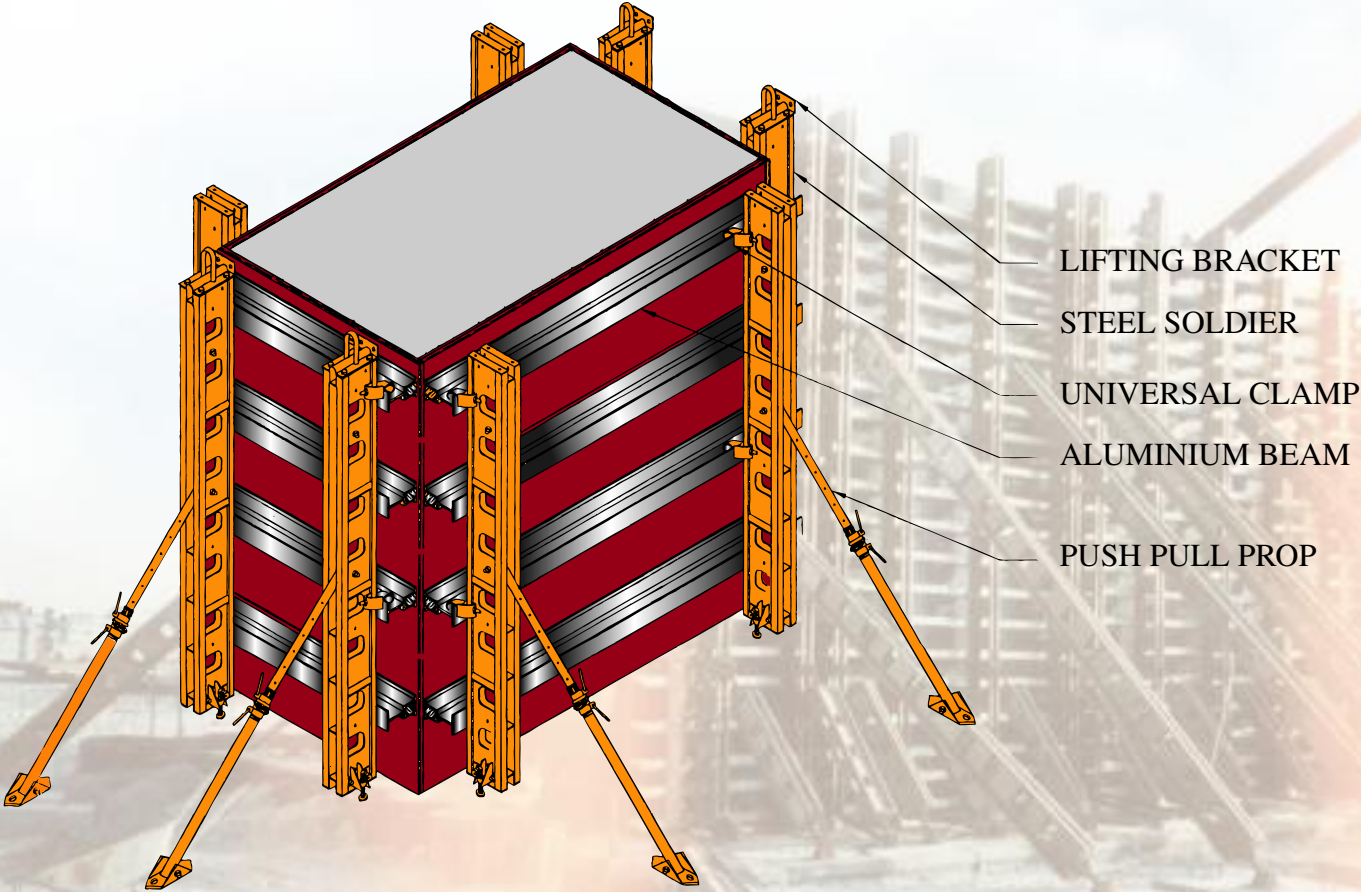
Soldier & Aluminium Beam System



LAYOUT



UNIVERSAL CLAMP





K H K SCAFFOLDING & FORMWORK L.L.C.

Head Office:

New Industrial Area
P.O.Box: 2701, Ajman-U.A.E
Tel: +971-6-7439013, Fax: +971-6-7439017
E-mail: khkscaf@emirates.net.ae, Website: www.khk-scaffolding.com

Branches :

A-Val Metal Resources, Inc.

5925, Airport Road, Suite 200, Airway Centre,
Mississauga L4V 1W1, Ontario, Canada
Tel.: 001 905 405 6245, Fax: 001 905 672 8630
email : khk@avalmetal.com or hasiha@khk-scaffolding.com

Brisko Scaffolding Limited

120 South lane New Malden
Surrey KT3 SEL England
Tel.: 0044 - 20 - 83364595
Fax: 0044 - 20 - 83364596

Prime Metal CORPORATION - USA

653 Route 52, Walden NY 12586
United States of America
Tel.: 001 - 845 - 778 4545
Fax: 001 - 845 - 778 4218

Winston Scaffolding Pty Ltd.

44-46 Gould Street
South Strathfield, N.S.W. 2136
Tel.: 00 - 02 - 97588700
Fax: 00 - 02 - 97587263

